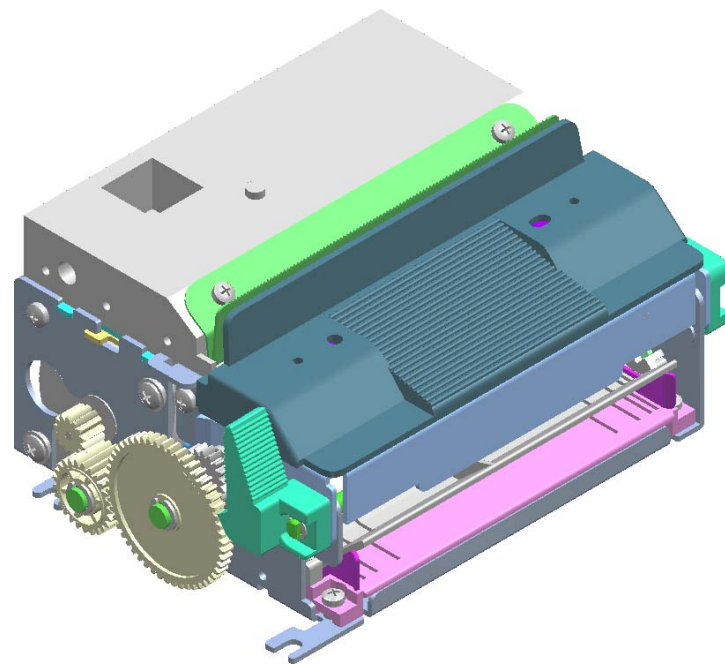
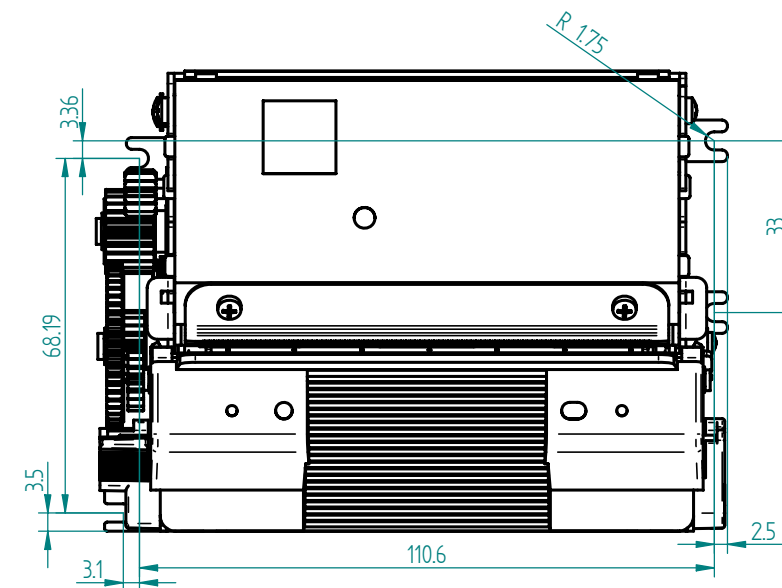
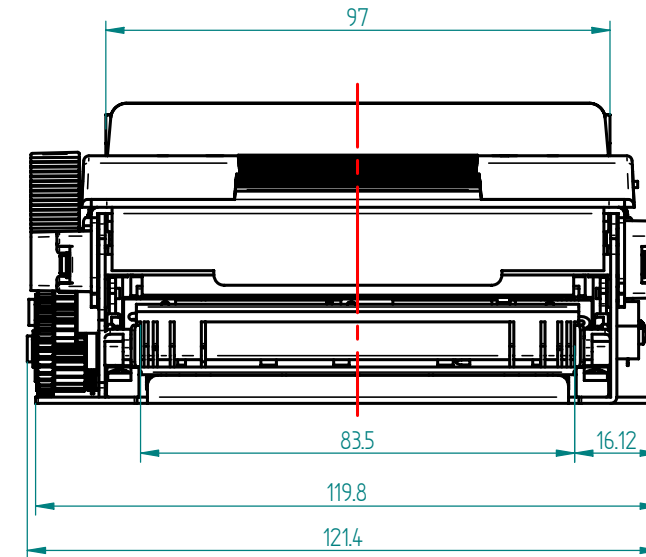
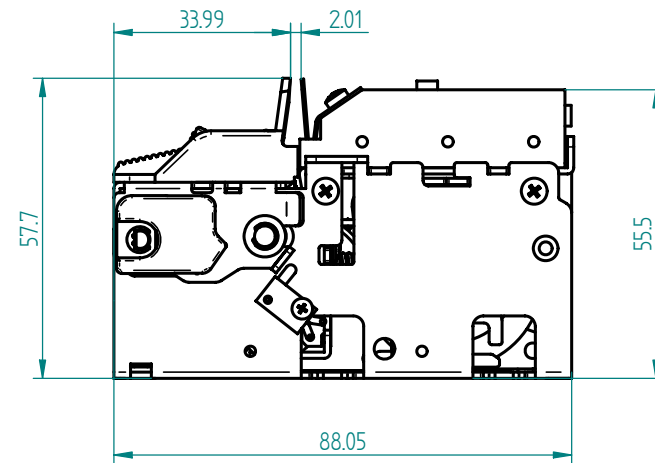



REVISION HISTORY			
REV	DESCRIPTION	DATE	APPROVED
0		05/24/07	



DRAWN	NAME	DATE	 SHANDONG NEW BEIYANG INFORMATION TECHNOLOGY CO.,LTD. TITLE		
CHECKED	ZZM	05/28/07			
ENG APPR					
MGR APPR					
UNLESS OTHERWISE SPECIFIED DIMENSIONS ARE IN MILLIMETERS ANGLES ±XX°			SIZE	DWG NO	REV
2 PL ±XXX 3 PL ±X.XXX			C		
			FILE NAME: BT-T080		
			SCALE:	WEIGHT:	SHEET 7 OF 7